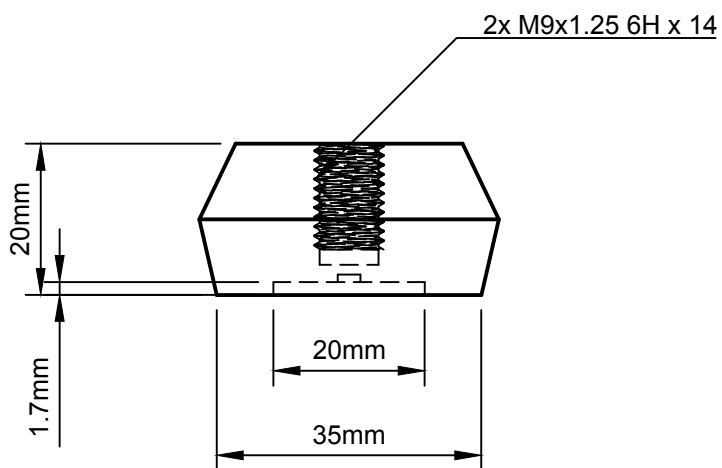
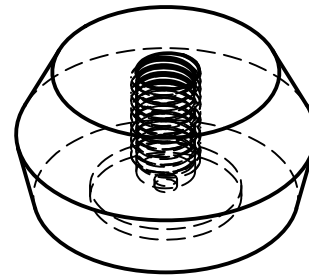
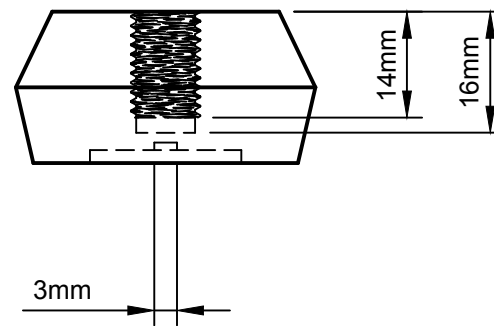


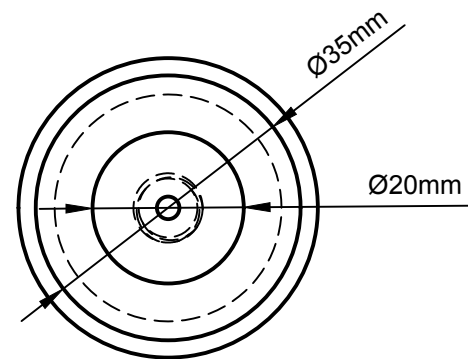
PLAN



FRONT ELEVATION



END ELEVATION



PLAN

RECAP

CLEAR ACRLYIC
PEAK POWDER
EMBEDMENT

MACHINE TURNED
M9 THREADED HOLE

CLIENT SUPPLIED COMPONENT
TO MATCH TO

Persons involved (initials)			
Dept.	Scale	Created	
	1:1	EF	18/11/2024
		Document type	
		Manufacture	
		Title	
		ReCap MUSIC WORKS	
Rev.	Job Number	Sheet	
A	A09961	1/1	